

VAT FR 593 507 32939 - Customs code 84 31 49 20
Tractel® Solutions products are for business purpose only

Telescopic coil grab

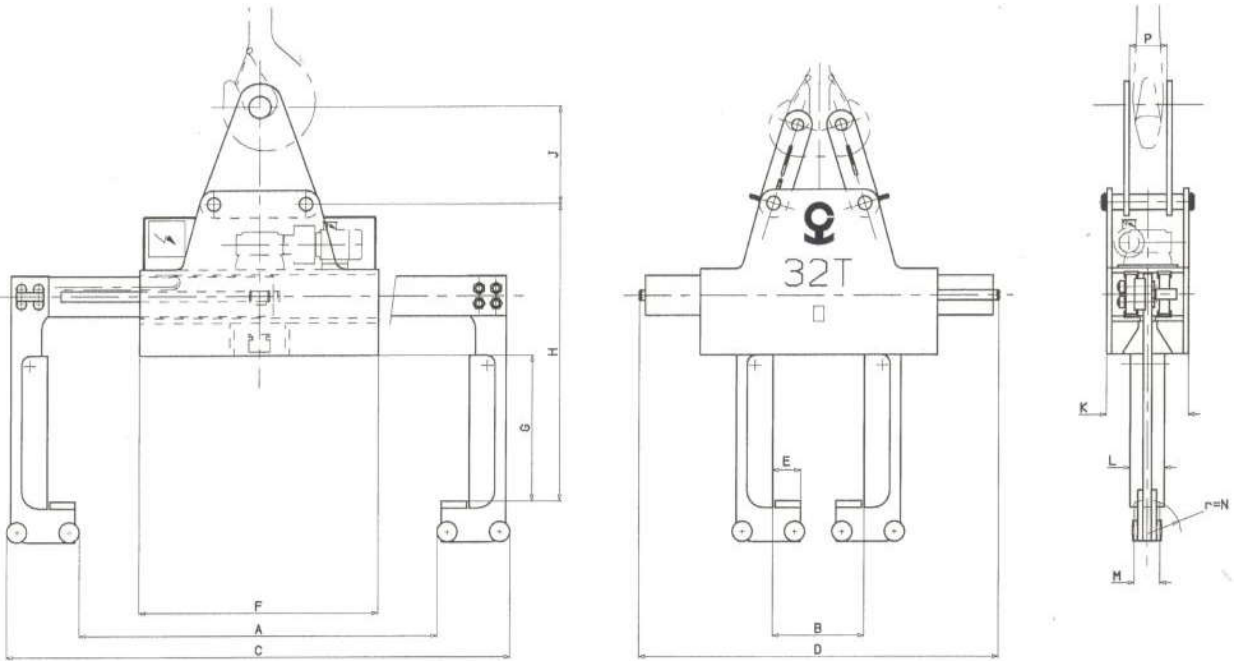
Head-fitting and length of gripping legs manufactured to suit your application

To comply with your specific quality and safety specifications, optional equipment is available on request



Telescopic coil grab under the hook block with motorized hook (Rotablock)

VAT FR 593 507 32939 - Customs code 84 31 49 20
Tractel® Solutions products are for business purpose only



Type	M4	M6	M8	A	B	C	D	E	F	G	H	J CS / CD	K	L	M	N	P CS / CD	Weight (kg)
T010B	16t	12,5t	10t	1900	510	2690	1935	150	1300	835	1650	385/365	452	210	140	200	145/120	1100
T020B	32t	25t	20t	2100	250	2920	2135	165	1400	835	1725	520/480	460	210	160	250	195/155	1600
T030B	50t	40t	32t	2100	540	2960	2135	165	1400	835	1725	630/590	480	210	160	250	240/190	1900

- For the transportation of coils, rolls and bodies with horizontal axles.
- Manufactured with full quality assurance.
- Grab manufactured in high quality welded steel and both grab legs operated by means of rack and pinion.
- Grab legs operate within sliding guides utilizing both gearing and a torque limiting coupling.
- Wiring system with cabling protected in plastic metallic conduits or alternatively in guide chains supplied complete with electric control panel.
- Documentation: CE certificate of conformity / full technical data supplied.

Options:

- Safety device, sensor controlled to avoid opening of gripping legs whilst under load.
- Indicator to confirm gripping legs are locked in position
- Sliding protection device to ensure against load damage.
- Protective wheels on gripping legs.
- Gripping legs fitted with "SECUTEX" protection.
- Illuminated light signal confirming grabs are under load.